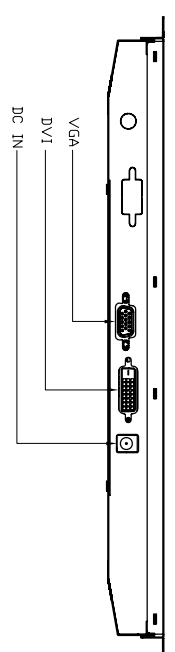
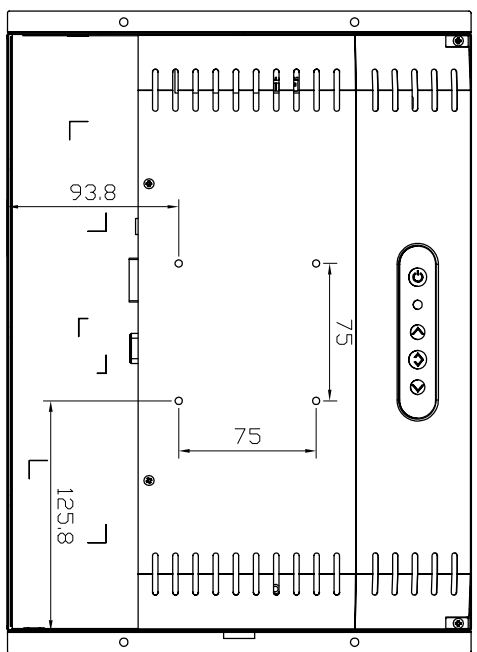
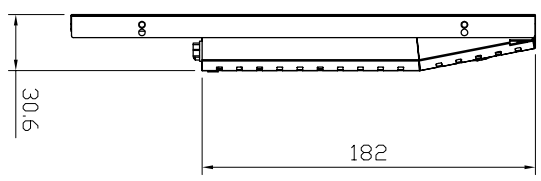
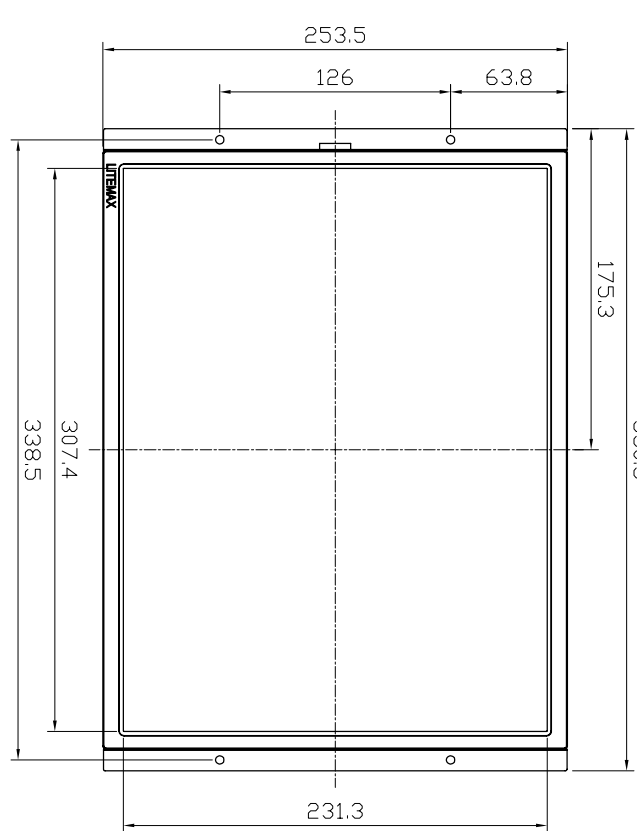
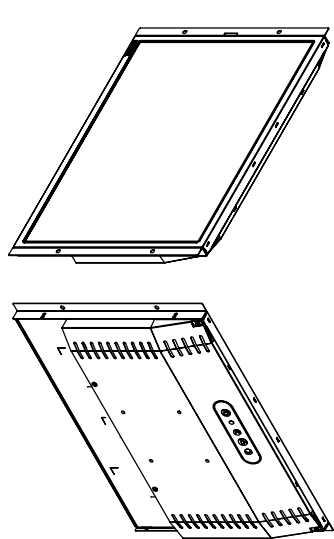


| REV | ECN NO. | DESCRIPTION | SIGN | DATE |
|-----|---------|-------------|------|------|
| | | | | |



Note :

| APPROVED | CHECKED | DESIGNED | LEVEL | General tolerance | ± | SELECT | MATERIAL | FINISH | SPC DIMENSION |
|----------|---------|----------|------------|-------------------|------|--------|----------|--------|---------------|
| | | David | DIM. | 0.1 | 0.1 | 2 | | | |
| | | | 4 ~ 14 | 0.1 | 0.2 | 0.15 | | | |
| | | | 14 ~ 43 | 0.15 | 0.25 | 0.2 | | | |
| | | | 43 ~ 250 | 0.15 | 0.3 | 0.25 | | | |
| | | | 250 ~ 600 | 0.2 | 0.5 | 0.4 | | | |
| | | | 600 ~ 4000 | 0.3 | 0.6 | 0.6 | | | |

| UNIT | SCALE | WEIGHT | ANGLE | GENERAL TOLERANCE | 3rd Angle | ORIGINAL MODEL |
|------|-------|--------|-------|-------------------|-----------|----------------|
| MM | 1:4 | — | — | — | ☉ | SL01568 |

TITLE DIM

DRAWING NO./PART NO. SL01568-ENB-B01

DESCRIPTION
15" 1600hrs VGA/LDD/5A03/AD562/GDD/O/B w/bracket, 3 in 1 carton, V01

Litemax Litemax Electronic Inc. SIZE A4 SH 1-1 REV V1